



# FOOD EQUIPMENT

SERVING THE FOOD INDUSTRY SINCE 1951

## COUNTER TOP CREPE GRIDDLE

ITEM: 23571 MODEL: CE-CN-0397

*Omcan's Counter Top Crepe Griddle is an easy and efficient way to make delicious crepes. It features a cast iron plate, stainless steel body, temperature dial and indicator lights. Comes with crepe batter spreader.*



**WARRANTY**  
PARTS AND LABOR



NEMA  
5 - 20  
125 VAC / 20 AMP



Authorized Dealer

# FOOD EQUIPMENT

COUNTER TOP CREPE GRIDDLE CE-CN-0397 / 23571

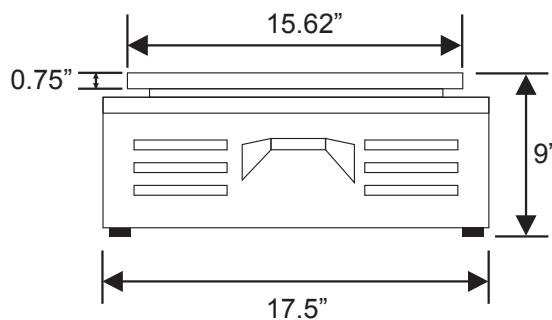
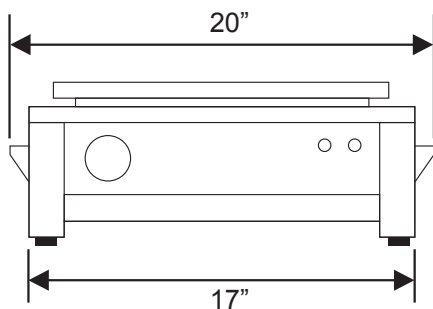


## FEATURES

- Stainless Steel Construction
- Has indicator lights and temperature dial
- 15.62" diameter cast iron plate
- Temperature Range: 140-570°F (60-300°C)



## TECHNICAL DRAWING AND DIMENSIONS

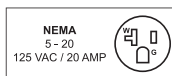


## TECHNICAL SPECIFICATIONS

ITEM NUMBER	23571
MODEL	CE-CN-0397
POWER	1.8 kW
ELECTRICAL	120V / 60Hz
TEMPERATURE RANGE	60°C – 300°C / 140°F – 570°F
PLATE DIAMETER	15.62" / 396.7 mm
WEIGHT	48.5 lbs. / 21.9 kg.
PACKAGING WEIGHT	53 lbs. / 24 kg.
DIMENSIONS (DWH)	17.5" x 20" x 9" / 444.5 x 508 x 228.6 mm
PACKAGING DIMENSIONS	21.5" x 22" x 13.75" / 546 x 558.8 x 349.25 mm



**WARRANTY**  
PARTS AND LABOR



## OMCAN INC.

Telephone: 1-800-465-0234

Fax: (905) 607-0234

Email: sales@omcan.com

Website: www.omcan.com



Follow us to keep up to date with the latest news and offers



2016.E.O.E